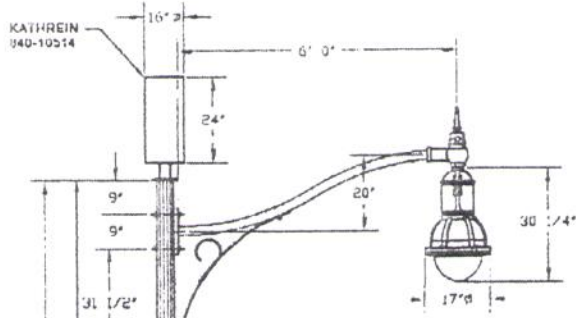


EXHIBIT A
CROWN CASTLE LOCATIONS

NODE #	NODE ADDRESS	LATITUDE	LONGITUDE
Pitt Oakland 2_1	Forbes Avenue	40.441889	-79.956605
Pitt Oakland 2_2	Roberto Clemente Drive	40.440965	-79.953975
Pitt Oakland 2_3	Schenley Drive	40.442096	-79.952964
Pitt Oakland 2_4	Forbes Avenue	40.443149	-79.953326
Pitt Oakland 2_5	Forbes Avenue	40.442593	-79.955434
Pitt Oakland 2_6	Forbes Avenue	40.444148	-79.954587
Pitt Oakland 2_7	Fifth Avenue	40.443371	-79.956707
Pitt Oakland 2_8	Fifth Avenue	40.442654	-79.957479



LUMINAIRE SPECIFICATIONS

CATALOGUE NO.: K803-P2SH-III-165(SSL)
 -80126-120:277 S/F KPL20

QUANTITY:
 OPTICAL SYSTEM: FLAT ARRAY SHALLOW CLEAR LENS
 IES CLASS.: TYPE III
 WATTAGE: 165W
 SERIES: 80126
 LIGHT SOURCE: SOLID STATE LIGHTING
 LINE VOLTAGE: 120:277V
 CCT: 4500K
 PAINT: TEXTURED BLACK
 OPTIONS: S/F KPL-20 LEVELING DEVICE

ROADWAY ARM SPECIFICATIONS

CATALOGUE NO.: KA30-S-1-6'-KPL20-PE-#5

QUANTITY:
 MATERIAL: ALUMINUM
 PAINT: TEXTURED BLACK
 OPTIONS: KPL-20 LEVELING DEVICE
 C/W TWISTLOCK RECEPTACLE
 & #5 FINIAL & PHOTO-EYE

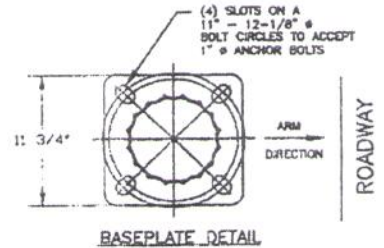
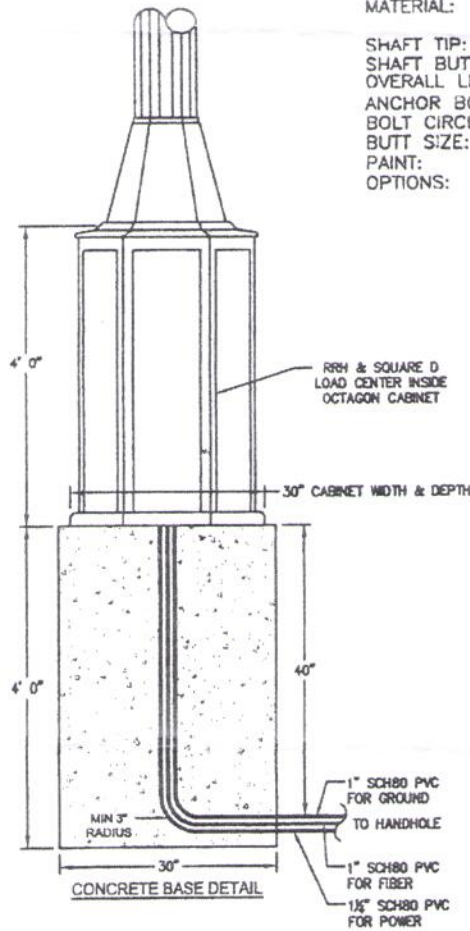
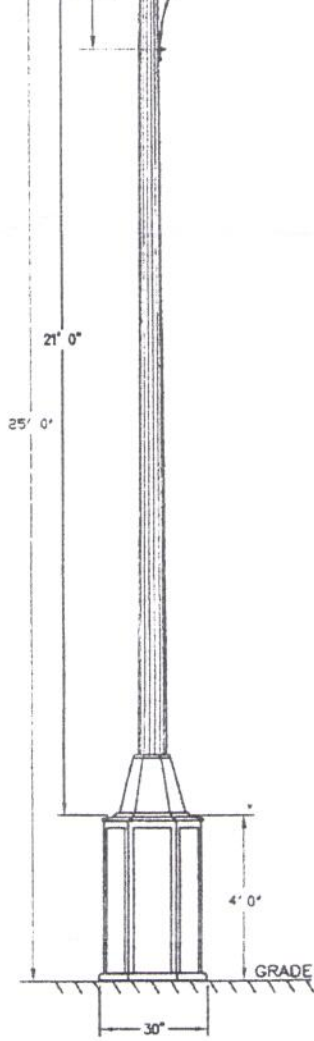
POLE SPECIFICATIONS

CATALOGUE NO.: KSB19-FF-S-25'

QUANTITY:
 MATERIAL: 11 GAUGE 16 FLUTED FORMED STEEL
 SHAFT & CAST ALUM. 2 PC BASE
 4 1/2" Ø

SHAFT TIP: 8" Ø
 SHAFT BUTT: 8" Ø
 OVERALL LENGTH: 21' 0"

ANCHOR BOLTS: 1" x 36"L (INCLUDED)
 BOLT CIRCLE: 11" - 12 1/8" Ø
 BUTT SIZE: 8" Ø
 PAINT: TEXTURED BLACK
 OPTIONS: -



Prepared by:

 Waveguide, Inc.
 10 N Southwood Drive
 Nashua, NH 03063
 603.598.0018

Prepared for:

 Network Owner:
 Extenet Systems Inc.
 3030 Warrenville Road
 Lisle, IL 60532

24/7 Network Operations Center:
 (866)-892-5327

Network Implementation:
 Paul J. Thurston
 Director - Network Engineering &
 Implementation
 pthurston@extenet-systems.com
 (617) 719-5300

Street Light Node Detail

Project: City of Pittsburgh DATE: 09/08/14