

CITY OF PITTSBURGH

DEPARTMENT OF PUBLIC WORKS - BUREAU OF ENGINEERING TRUNCATED DOME HANDICAP SIDEWALK ACCESS RAMP - TYPES

Approved: 12-14-07

Fred Fischer

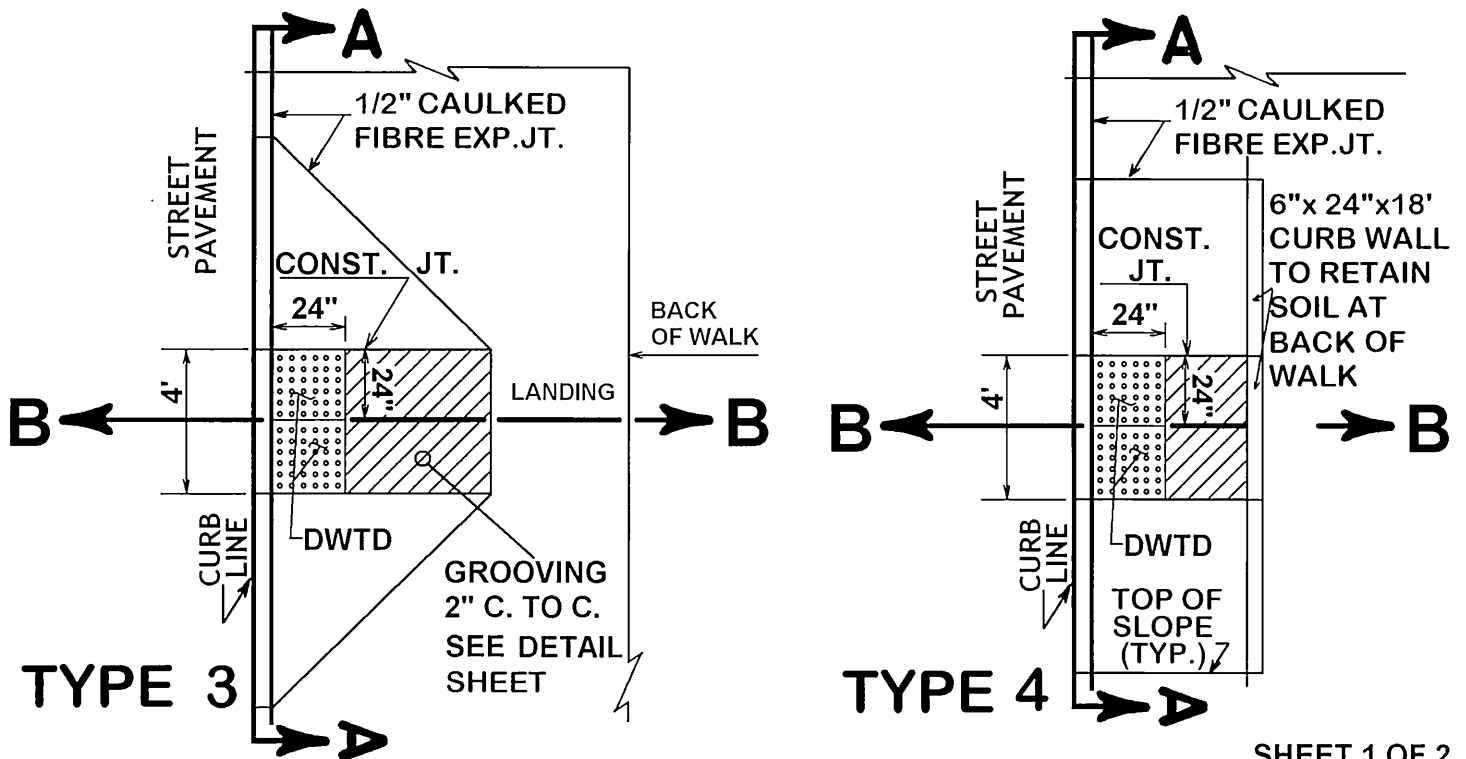
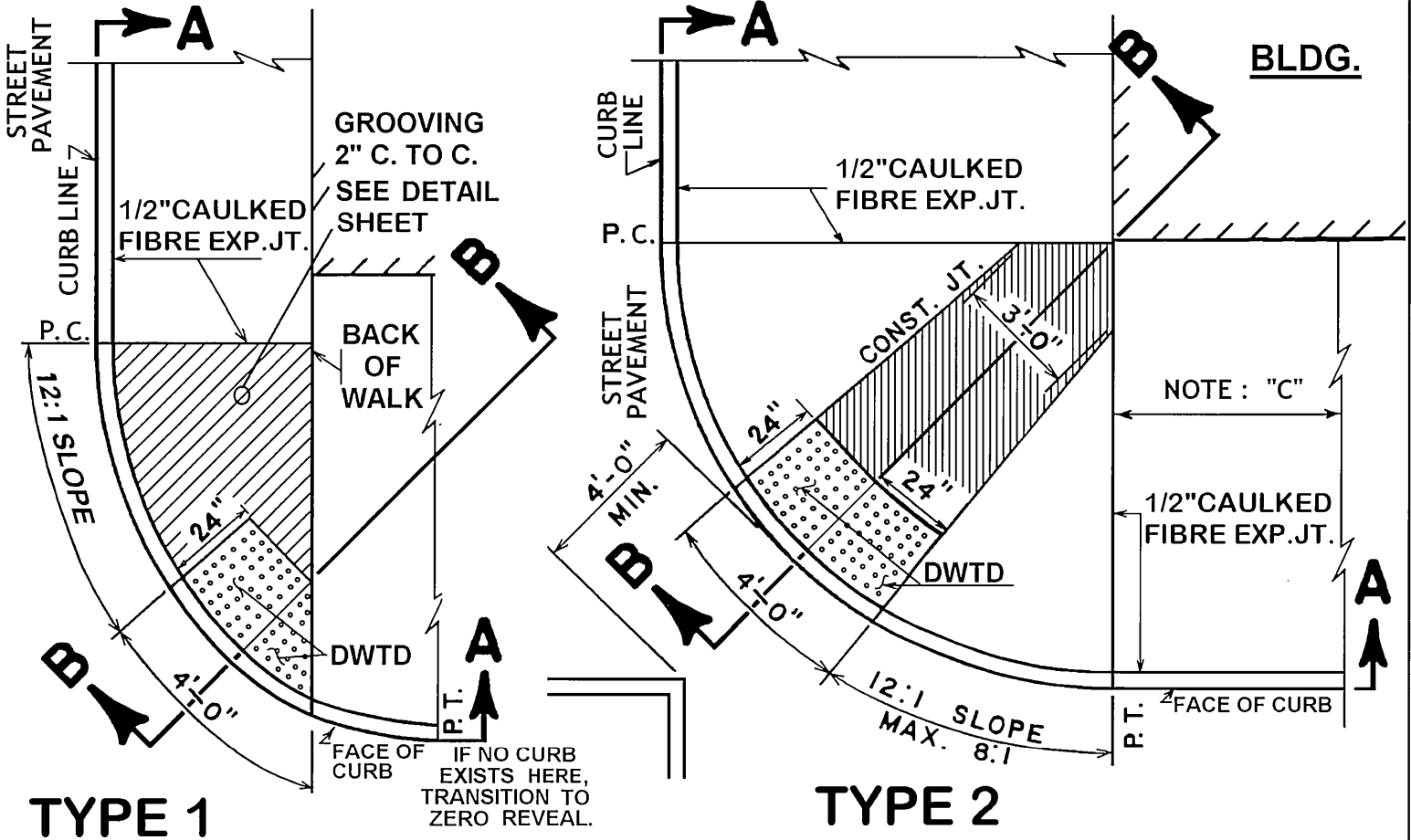
Approved: 12/14/07

ASSISTANT DIRECTOR

Approved: 12/14/07

C. Lot
DIRECTOR

PROJ. MAN. - STREETS DIVISION



ACCESSION NO. ML - 220 REV. - A
FOLDER M - 17