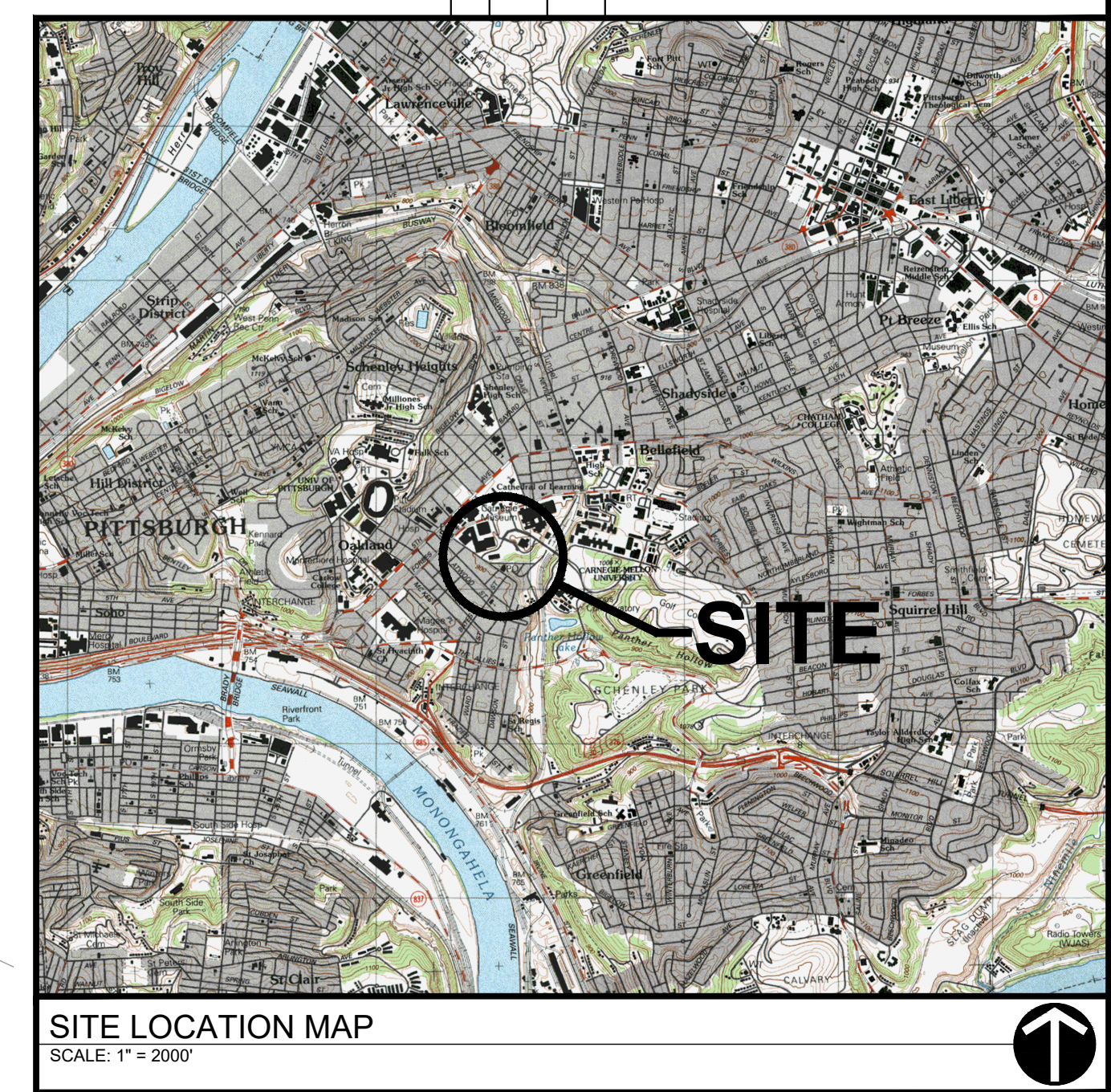
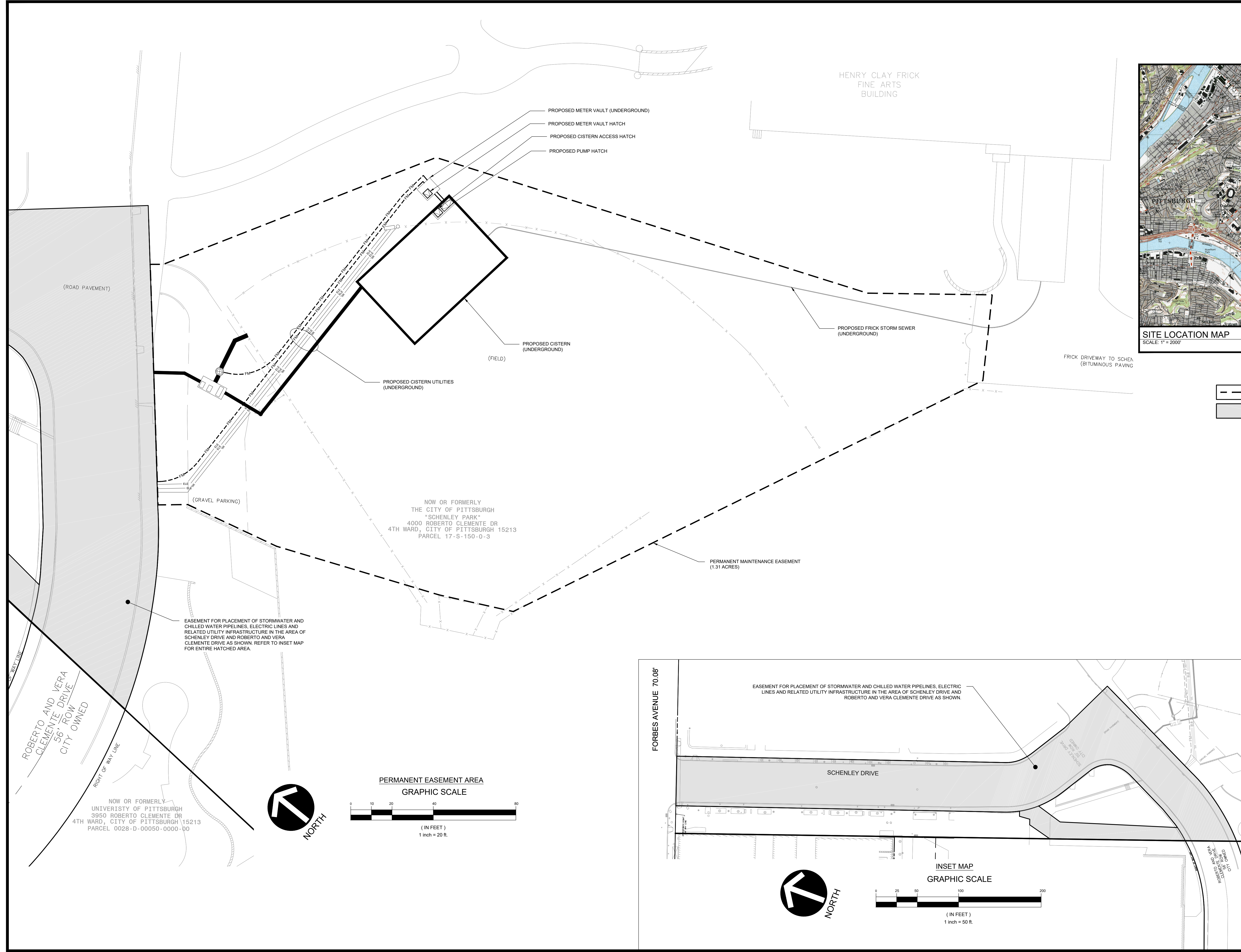
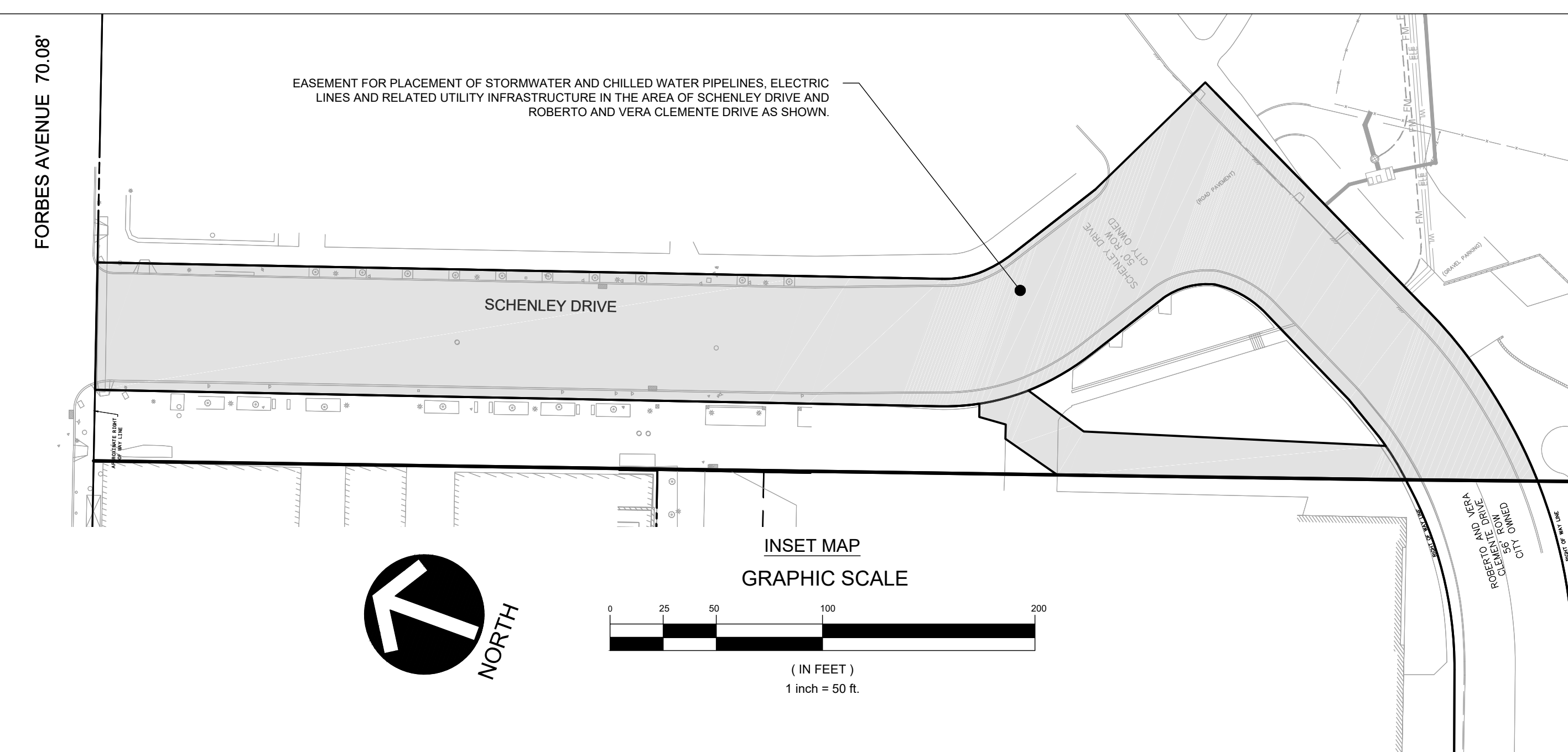
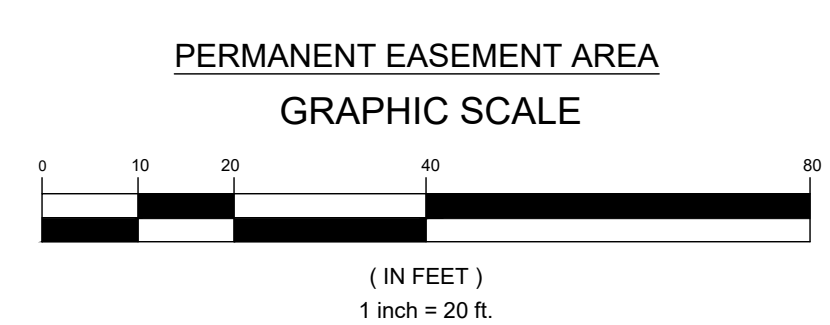


REVISIONS			
No	By	Date	Description



LEGEND

	PERMANENT EASEMENT BOUNDARY
	EASEMENT AREA FOR UTILITY INSTALLATION



University of Pittsburgh
Facilities Management

Professional Stamp

Project Name: GENERAL CAMPUS LANDSCAPES, PATHWAYS & STORMWATER MANAGEMENT

Job No.: X7001

Issue Date: 01/31/2022

Drawing Description: MAZEROSKI FIELD PERMANENT MAINTENANCE EASEMENT PLAN

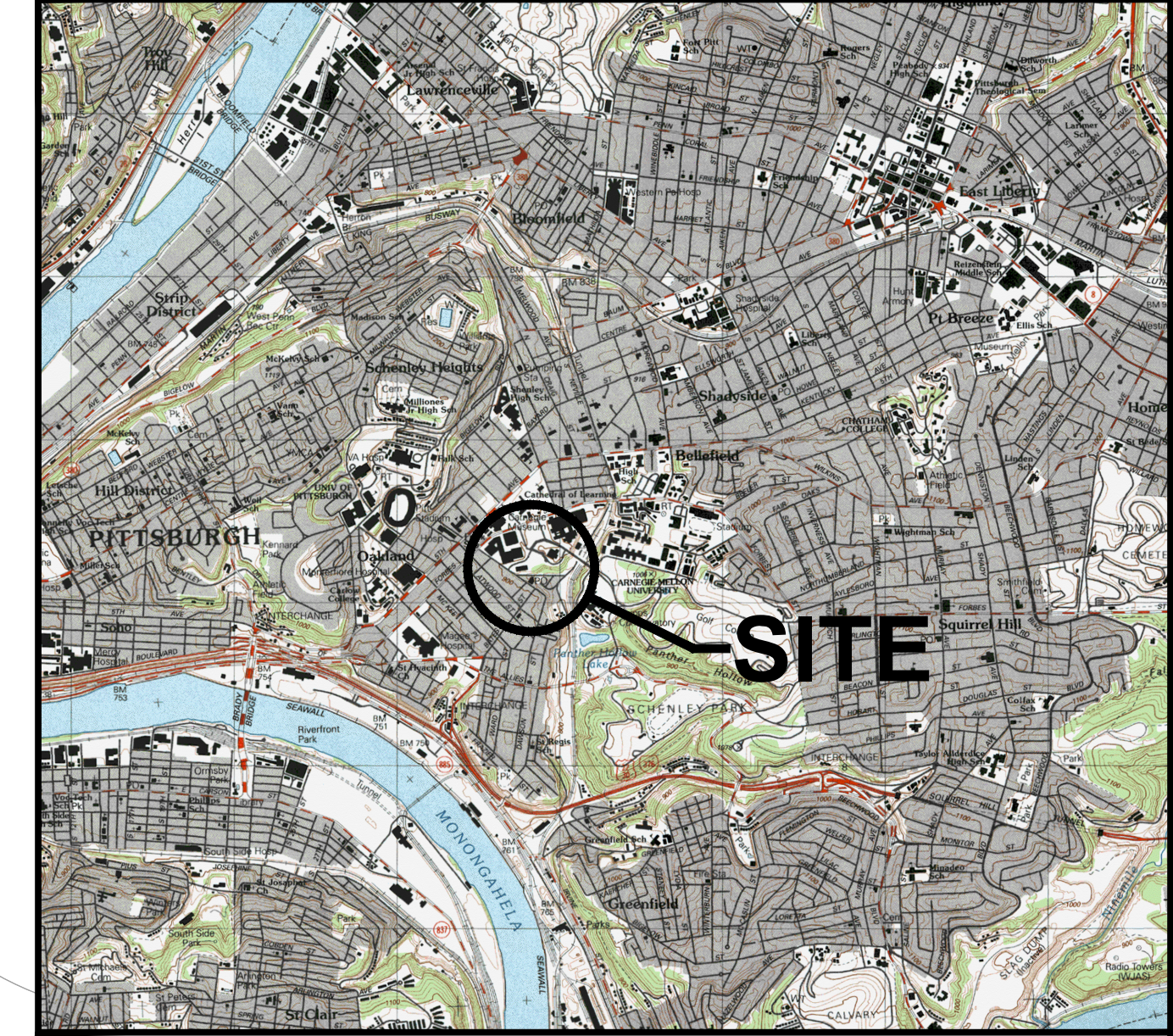
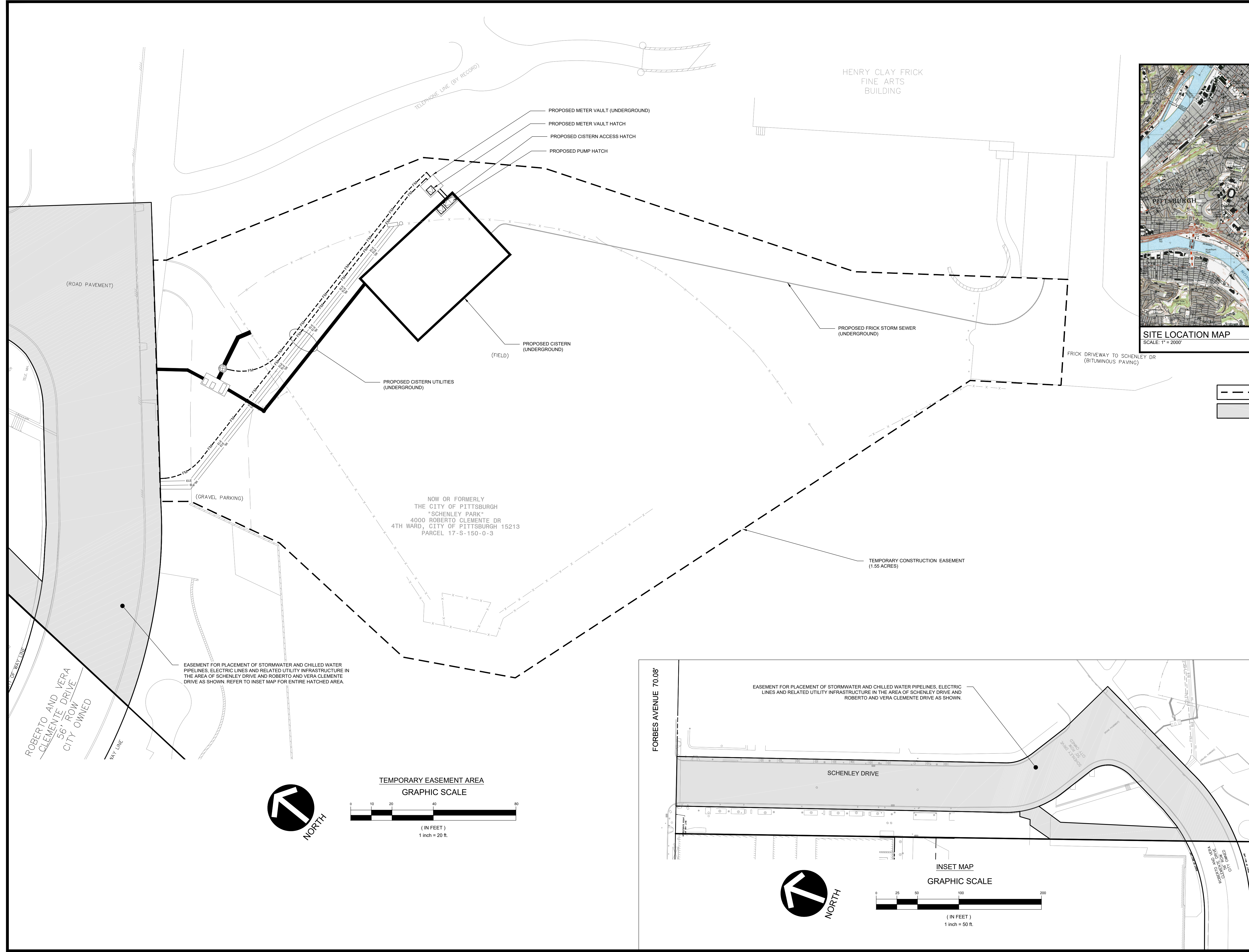
CAD File Name: C-15721-0006 PR

Drawn By: RRR

Drawing Number: EXHIBIT 1

Set Order: of

REVISIONS			
No	By	Date	Description

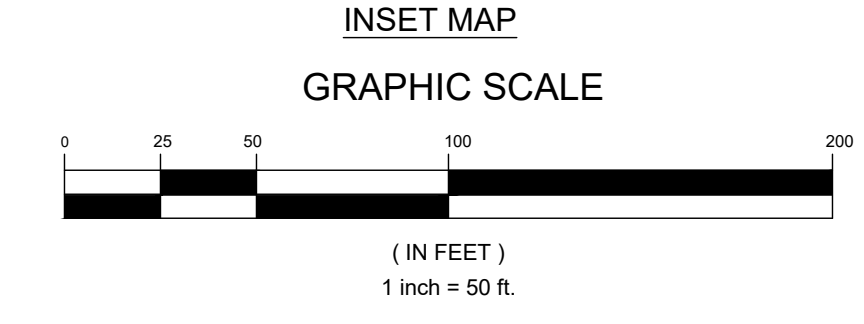
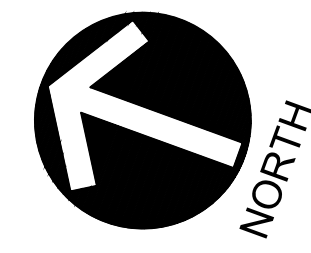
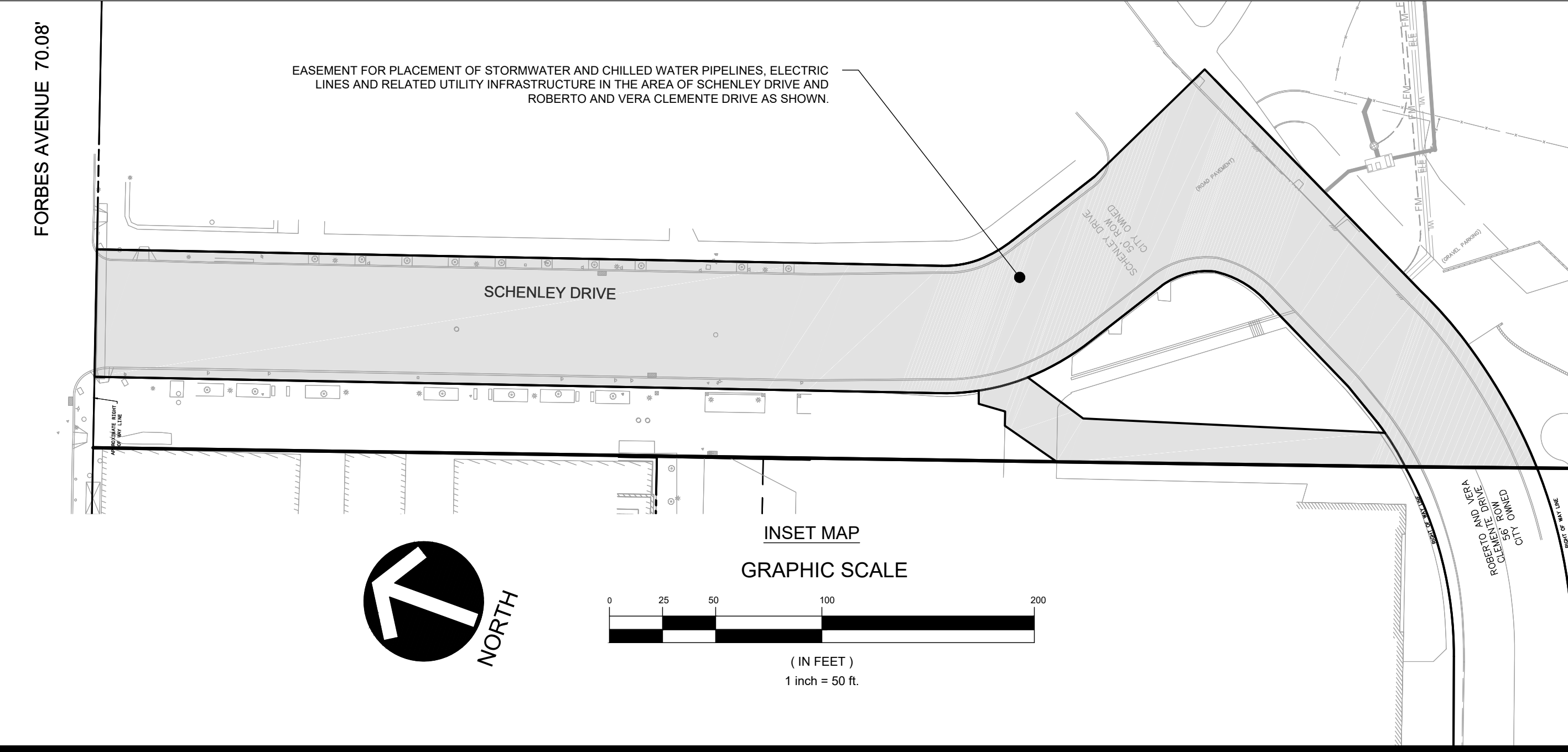
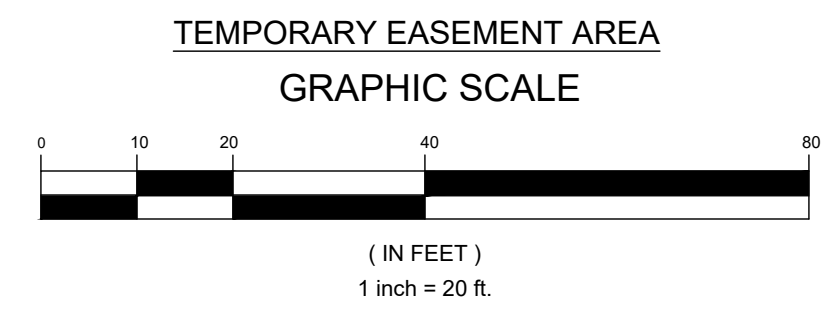
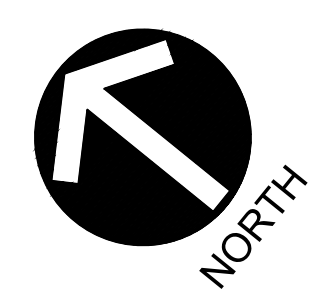


LEGEND

	TEMPORARY EASEMENT BOUNDARY
	EASEMENT AREA FOR UTILITY INSTALLATION

NOW OR FORMERLY
THE CITY OF PITTSBURGH
"SCHENLEY PARK"
4000 ROBERTO CLEMENTE DR
4TH WARD, CITY OF PITTSBURGH 15213
PARCEL 17-S-150-0-3

EASEMENT FOR PLACEMENT OF STORMWATER AND CHILLED WATER PIPELINES, ELECTRIC LINES AND RELATED UTILITY INFRASTRUCTURE IN THE AREA OF SCHENLEY DRIVE AND ROBERTO AND VERA CLEMENTE DRIVE AS SHOWN. REFER TO INSET MAP FOR ENTIRE HATCHED AREA.



**University of Pittsburgh
Facilities Management**



Professional Stamp

Project Name	Job No.
GENERAL CAMPUS LANDSCAPES, PATHWAYS & STORMWATER MANAGEMENT	X7001
Drawing Description	Issue Date
MAZEROSKI FIELD TEMPORARY CONSTRUCTION EASEMENT PLAN	01/31/2022

CAD File Name	Drawn By
C-15721-0006 PR	RRR
Drawing Number	Set Order
EXHIBIT 2	of